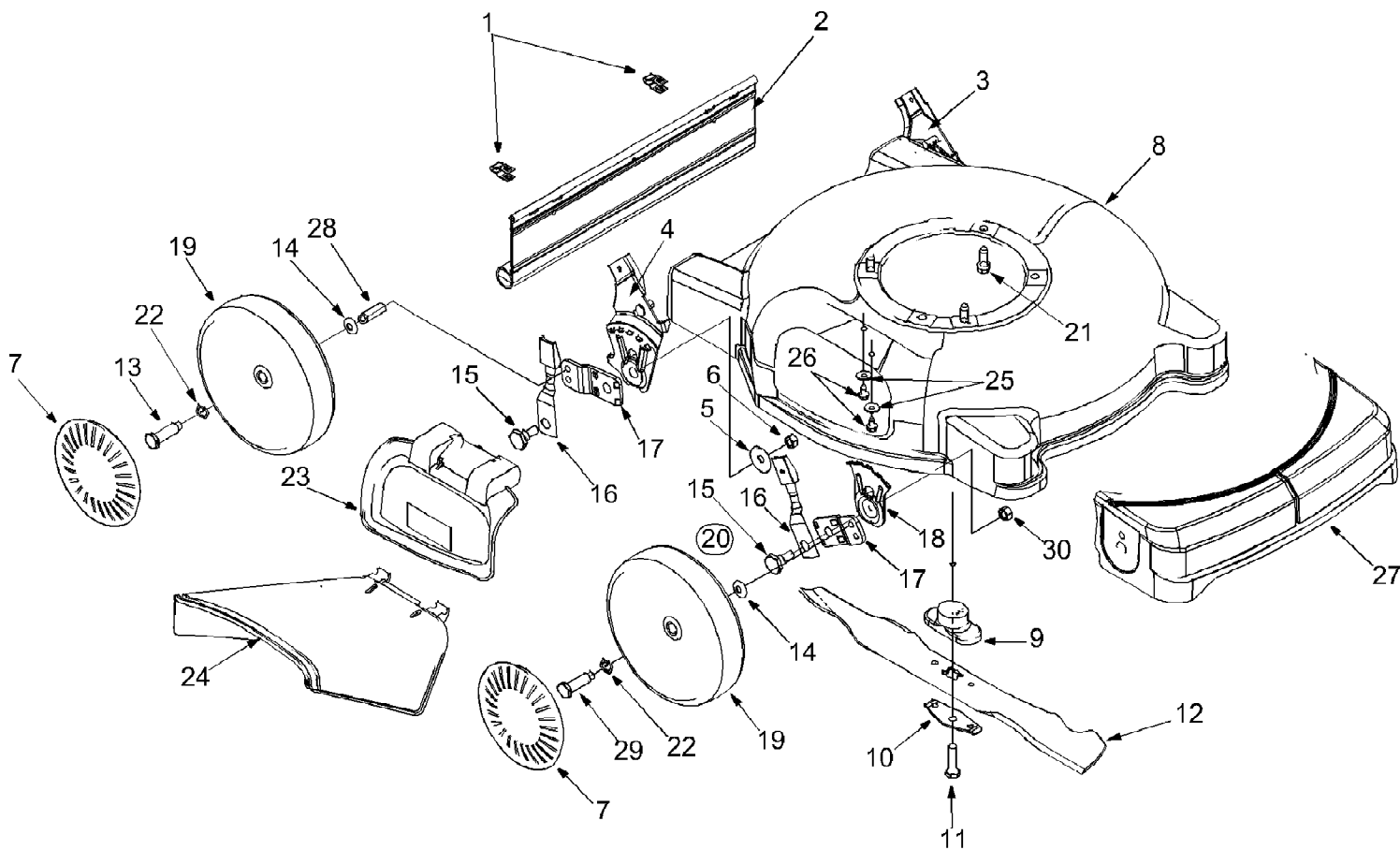


11C-704A190 LC-40 (2001)
General Assembly



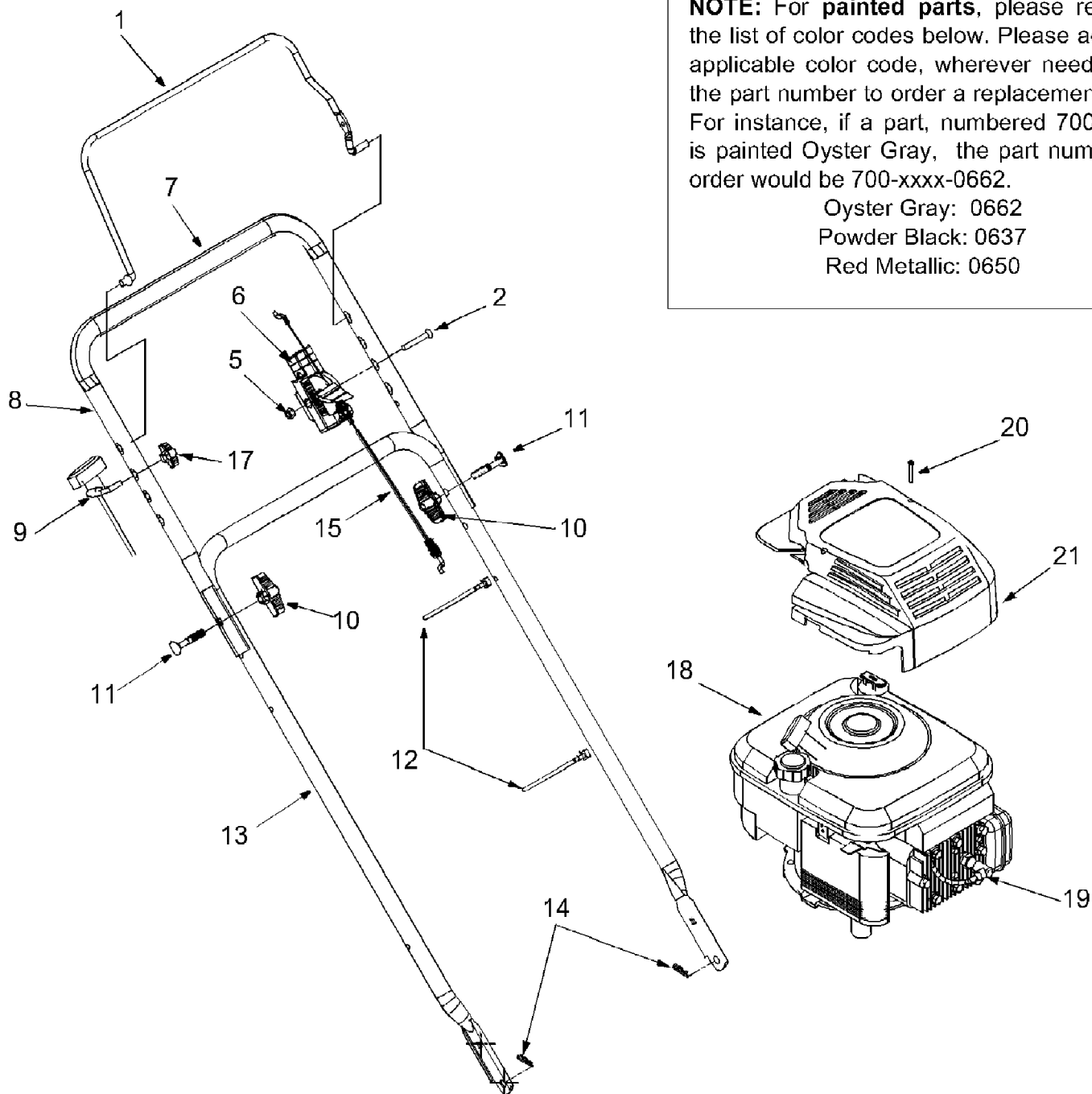
11C-704A190 LC-40 (2001)
General Assembly

Page 2 of 4

| Ref # | Part Number | Qty | S/P/F | Description |
|-------|-------------|-----|-------|---|
| 1 | 17098 | 1 | S | Hinge Clip |
| 2 | 731-0872A | 1 | S | Rear Flap Model LC-106 Only |
| | 731-1028 | 1 | /P | Rear Flap Model LC-40 Only |
| 3 | 682-3025 | 1 | S | Handle Bracket Ass'y LH Model LC-106 Only |
| | 682-3001A | 1 | S | Handle Bracket Ass'y LH Model LC-40 Only |
| 4 | 682-3024 | 1 | S | Handle Bracket Ass'y RH Model LC-106 Only |
| | 682-3000A | 1 | S | Handle Bracket Ass'y RH Model LC-40 Only |
| 5 | | 1 | | UNKNOWN |
| 6 | 712-0798 | 1 | /P | Hex Nut 3/8-16 Thd. |
| 7 | 731-0981A | 1 | S | Hub Cap: Grey |
| 8 | 682-0139 | 1 | /P | Deck Assembly Model LC-106 Only |
| | 682-0018B | 1 | | Deck Assembly Model LC-40 Only |
| 9 | 753-0588 | 1 | S | Blade Adapter Kit |
| 10 | 736-0524A | 1 | S | Blade Bell Support |
| 11 | 710-1044 | 1 | /P | Hex Bolt 7/16-20 x 1.5" |
| 12 | 742-0740 | 1 | S | 20" Mulch Blade Model LC-106 Only |
| | 742-0738 | 1 | S | 18" Mulch Blade Model LC-40 Only |
| 13 | 738-0213 | 1 | /P | Axle Bolt Model LC-40 Only |
| 14 | 736-0105 | 1 | /P | Bell Washer .400" ID x .88" |
| 15 | 738-0507B | 1 | S | Shoulder Bolt |
| 16 | 14832 | 1 | S | Spring Lever Ass'y w/Knob |
| 17 | 15262B | 1 | /P | Pivot Bar |
| 18 | 15261A | 1 | S | Height Adj. Plate |
| 19 | 734-2008 | 1 | S | Wheel Assembly |
| 20 | 14578 | 1 | /P | Height Adj. Ass'y. Comp. R.F. |
| | 14579 | 1 | | Height Adj. Ass'y. Comp. L.F. |
| 21 | 710-0654A | 1 | /P | Hex Lock Wash. Hd. Screw 3/8- 16 x 1.0" Lg. |
| 22 | 736-0504 | 1 | S | Wave Washer |
| 23 | 682-7002 | 1 | /P | Mulching Plug |
| 24 | 731-1409 | 1 | S | Chute Deflector |
| 25 | 736-0270 | 1 | /P | Bell Washer |
| 26 | 710-0599 | 1 | /P | Hex Wash. Hd. TT Screw 1/4- 20 x .5" Lg. |
| 27 | 731-1948 | 1 | | Cover: Front End Model LC-106 Only |
| 28 | 750-0535 | 1 | S | Spacer |
| 29 | 738-0102 | 1 | S | Axle Bolt |
| 30 | 712-0431 | 1 | S | Hex Flange L-Nut 3/8-16 Thd. |

NOTE: For **painted parts**, please refer to the list of color codes below. Please add the applicable color code, wherever needed, to the part number to order a replacement part. For instance, if a part, numbered 700-xxxx, is painted Oyster Gray, the part number to order would be 700-xxxx-0662.

Oyster Gray: 0662
Powder Black: 0637
Red Metallic: 0650



11C-704A190 LC-40 (2001)
Handle & Controls

Page 4 of 4

| Ref # | Part Number | Qty | S/P/F | Description |
|-------|-------------|-----|-------|---------------------------------|
| 1 | 647-0004 | 1 | | Control Handle Ass'y. |
| 2 | 710-1270 | 1 | | Oval C-Sunk Screw |
| 5 | 712-0324 | 1 | /P | Hex Lock Nut |
| 6 | 746-0883 | 1 | | Control Housing |
| 7 | 720-0295 | 1 | /P | Foam Grip |
| 8 | 749-0705 | 1 | | Upper Handle |
| 9 | 710-1205 | 1 | /P | Rope Guide |
| 10 | 720-0314 | 1 | | Hand Knob |
| 11 | 710-1174 | 1 | /P | Carriage Bolt |
| 12 | 726-0240 | 1 | S | Cable Tie |
| 13 | 749-0928 | 1 | S | Lower Handle |
| 14 | 714-0104 | 1 | S | Hairpin Clip |
| 15 | 746-0554 | 1 | S | Control Cable 39" Lg. |
| 17 | 720-0279 | 1 | /P | Handle Knob |
| 18 | | 1 | | Engine |
| 19 | 735-0639 | 1 | /P | Spark Plug Boot |
| 20 | 751B095225 | 1 | | Screw 10-32 x 2.3" lg. |
| 21 | 751B281451 | 1 | /P | Engine Shroud Model LC-106 Only |
| | 751B281866 | 1 | | Engine Shroud Model LC-40 Only |
| | 777D00299 | 1 | | Hub Cap Label |
| | 777D003382 | 1 | | LC-106 Engine Shroud |
| | 777D003381 | 1 | | LC-40 Engine Shroud |
| | 777S30118 | 1 | | Danger Label (Cut Hand) |
| | 777S30277 | 1 | | Discharge Door |